

### 3.03.220 Water filter kunststof Fem. G 1/4" 220mu FOOD

The water filter can be fit with filtering cartridges from 5µ to 220µ mounted on an adjustable support. This adjustable support allows the water filter to be equipped with existing filtering elements.

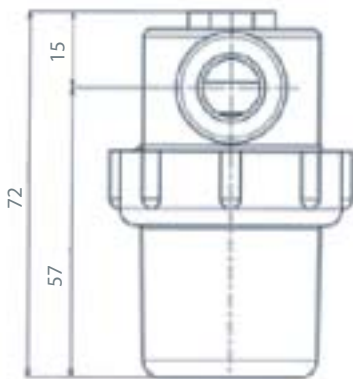
All components are food grade.



This water filter is one of the smallest filter housing in the market.

The filter has been specially designed for applications requiring small flow filtration. Its very small dimensions allows the filter to be easily fit in most of the following systems :

- > Drip Irrigation system,
- > Pressure washer,
- > Automotive exhaust emission analysers,
- > Protection of automated valves,
- > Dosing pumps,
- > Gas analysers,
- > Vending market



Head / Support / Polypropylène  
 Clear sump / Trogamid  
 Opaque white sump / white Polycarbonate  
 O'ring / Nitrile

Inlet / Outlet : 1/4" BSP / NPT (on request)  
 Max. Pressure : 8.6 bars ( 125 psi)  
 Max. Temperature 50°C